

Up to
2000 l/h

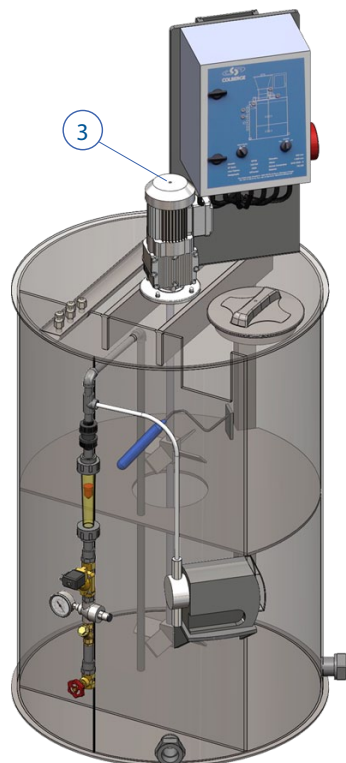
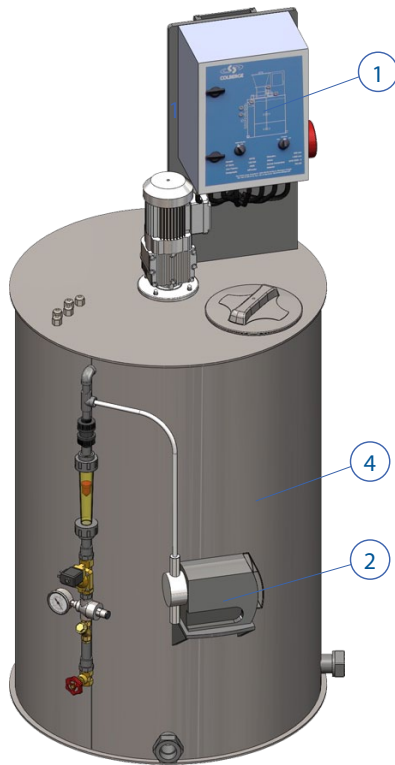
No
corrosion

Level

Instant
flow

2
chambers

Mechanical
speed



Colberge LSmaker

Colberge developed the LSmaker series as a automatic batch principle systems of emulsion polyelectrolyte, fully automatic, allowing to obtain a final product of high quality. The range of five models varies between 300 and 2000 liters capacity with concentrations of preparation according to the dosing device applied.

The system input with regulation of water flow and the dosing pump (2) with the dosing adjustment allows the preparation in continuous of variable concentration solutions.

Process description

Each system consists in a tank (4) with two separate volumes constructed from high-density polyethylene (very resistant to aggressive atmospheres).

The switch level commands the water entrance through an electric valve (6) into the dilution chamber where it reaches the minimum level and stops when it has reached the maximum level. The solution concentrates at the bottom and through communicating vessels, it ascends to a higher level and reach the dosing compartment.

The rotameter (7) and valve adjustment (5) allows the regulation of water ensuring a dilution flow to get the solution with the established parameters.

The low-speed mixer (3) with shaft and two stainless steel propellers installed in two chambers will give a total uniform solution.

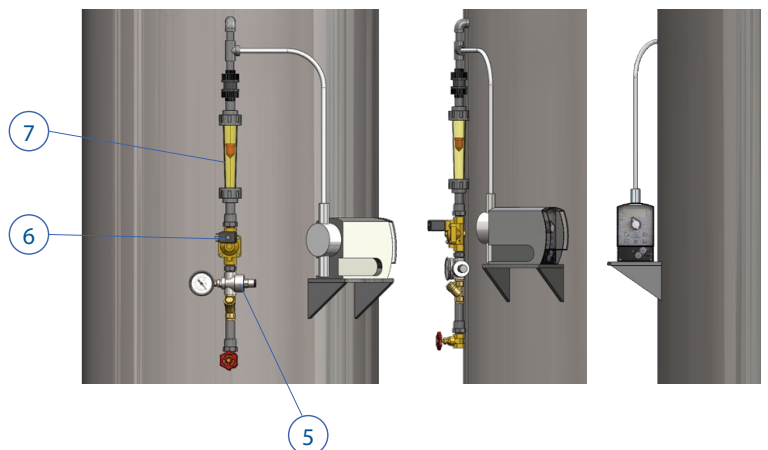
Due to the geometry of the unit, the circuit of the passage of water and chemicals provides a preparation of reagents free of insoluble.

Standard accessories

- Static mixer;
- Removable lid.

Optional accessories

- Dosing level alarm with contact in electrical switchboard.





Synopsis of automatic preparer

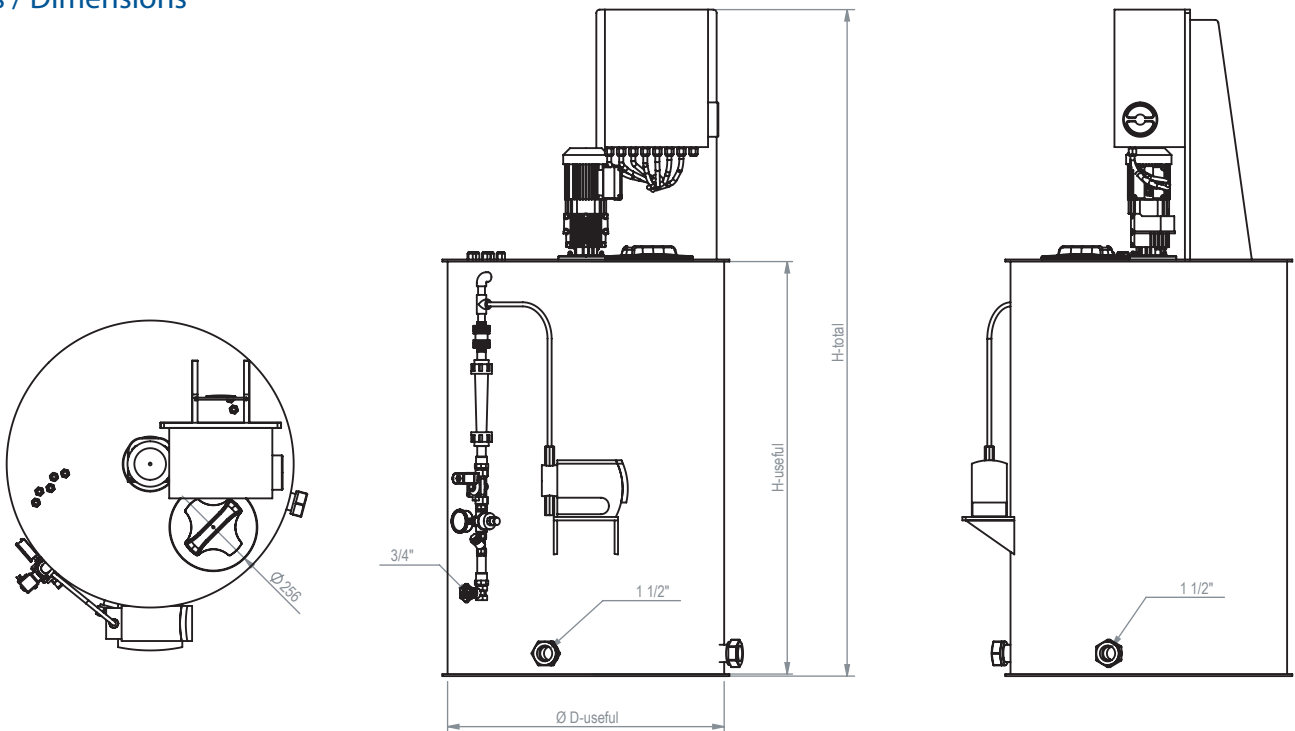
Control panel and synopsis

The control panel (1) has a button on overall safety and operation of individual switches with signal light and LED indicators with trend of the functioning of various elements, allowing the operator total control of the unit.

Buttons

- Dosing pump switch - manual, off, automatic;
- Dilution agitator switch- on,off.

Views / Dimensions



LSmaker Series	Model	Dimensions			Volume (L)		Mixer	
		H-useful (mm)	H-total (mm)	Ø D-useful (mm)	Geometric	Power (kW)	Ø Superior propeller (mm)	Ø Inferior propeller (mm)
	LS03	1000	1700	650	300	0,25	200	350
	LS05	1200	1900	800	600	0,25	200	350
	LS10	1200	1900	1130	1000	0,55	200	350
	LS15	1500	2200	1190	1600	0,55	200	350
	LS20	1500	2200	1350	2000	0,55	200	350