

- Flow display
- Proportion adjustment
- Corrosive chemicals
- Flow up 36 l/h
- Pressure up 20 bar
- Several options



## Colberge MG

The electromagnetic diaphragm MG series dosing pumps with multifunctional electronic command panel, LCD display and three front LEDs confirm, in an intuitive way, the proper pump functioning, an alarm situation or any breakdown.

The continuous regulation of the diaphragm and pulse frequency, associated to the visualization of the flow rates in imp/min or l/h and an intuitive configuration permits the ideal adjustment in any situation.

The combination of liquid ends in polypropylene, PVDF, SS and HV, with ceramic spheres, seals in EPDM, FPMB or EPDM and standard diaphragms in PTFE make the MG series the right solution for any family of chemicals.

The standard version\* includes aspiration valve with an incorporated ceramic weight, injection valve, fittings and suction tube.

## Standard features

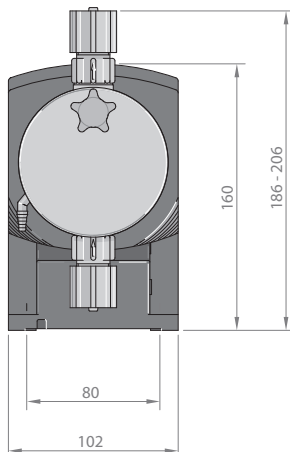
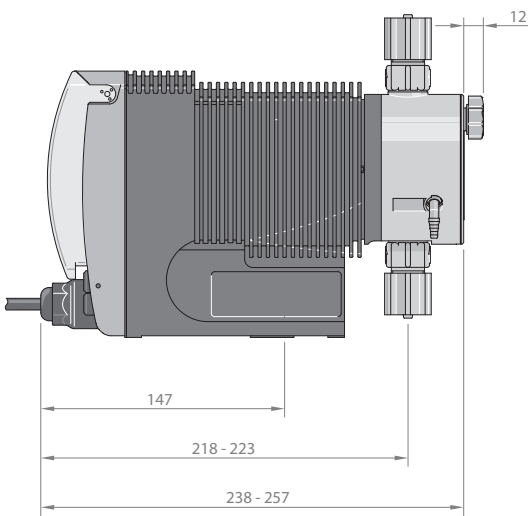
- Power supply. . . . . 230V 50 Hz
- Max. pulses/min . . . . . 180
- Reproducibility at 100%. . . . . .2%
- Precision at max. pressure . . . . .-5 / +10%
- Power MG70/MG80. . . . .17/22 W
- Current MG70/MG80. . . . .0,7/1 A
- Protection. . . . .IP65
- Sound level. . . . . <70db a 1 m
- Max. dosing temp. . . . . .35°C
- Shipping size. . . . .33x33x18cm
- Remote On/Off

## Optional features

- Analog signal of control (4-20 mA)
- Impulse transmitter relay (output)
- Alarm relay NO or NC
- Bleed valve on the head
- Power 12 V DC or 24 V AC/DC
- Current output 4-20 mA
- Timers

## Optional accessories

- Two level switch
- Flow detector
- Multi-functional valve and safety
- Pulsation dampener
- Wall mounting bracket
- Calibration cylinder



	Model	Pressure	Flow at max pressure		Flow at med pressure		Ø ext/int	Weight	Liquid end material - Code			
		bar	l/h	ml/stroke	l/h	ml/stroke			mm	Kg	PP*	PVDF*
MG70 Series	MG773	10	0,74	0,09	0,82	0,076	6x4	2,9 - 3,6	491	492	494	-
	MG763	16	1,1	0,10	1,4	0,13	6x4	2,9 - 3,6	401	402	404	-
	MG703	16	2,1	0,19	2,5	0,24	6x4	2,9 - 3,6	411	412	414	-
	MG713	10	4,4	0,41	5,0	0,46	8x5	3,1 - 4,5	531	532	534	535
	MG723	7	7,1	0,66	8,4	0,78	8x5	3,1 - 4,5	541	542	544	545
	MG733	4	12,3	1,14	14,2	1,31	8x5	3,1 - 4,5	551	552	554	555
	MG743	2	19,0	1,76	20,9	1,94	12x9	3,1 - 4,5	961	962	964	965
MG80 Series	MG873	16	4,1	0,38	4,9	0,45	8x5	4,5 - 5,9	531	533**	534	535
	MG813	10	6,8	0,63	8,3	0,76	8x5	4,5 - 5,9	541	542	544	545
	MG823	7	11,0	1,02	13,1	1,21	8x5	4,5 - 5,9	551	552	554	555
	MG833	4	17,1	1,58	19,1	1,77	12x9	5,5 - 8,6	961	962	964	965
	MG843	2	32,0	2,96	36,2	3,35	12x9	5,5 - 8,6	971	972	974	-

Dts MG GbDCZ0052014

For this versions are included the following accessories: foot valve, injection valve and 6 meters pipe, except the MG873-533 pump supplied without accessories.

\*\*Liquid end in acrylic (head for viscous products)