

Slow  
agitation

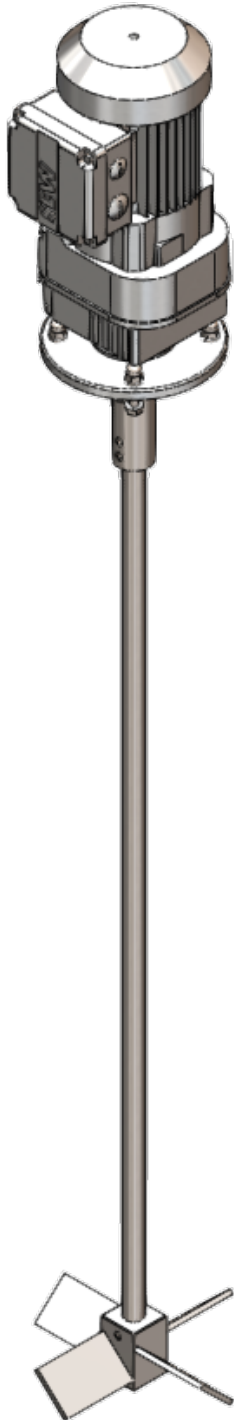
AISI  
316L

4 blades  
at  
45°

Volume  
up  
10 m<sup>3</sup>

Without  
maintenance

Three-phase  
and  
mono-phase  
versions



## Colberge VLS

The agitators of the VLS series of slow speed, provide a turbulent and homogeneous system. Its ideal for various applications in water treatment such as preparation of reagents, homogenisation, neutralization, suspension of sludge and simple agitation processes for an industrial level.

They are agitators with shaft, coupling and propeller of four blades at 45° angle, high-performance, built in stainless steel AISI 316 L.

The moto-reductor used has a single phase or three-phase version, armored, not needing any maintenance over its lifetime. Its protected by RAL 7001 anticorrosive-paint.

### Technical features

In the table at the bottom there are shown the VLS models, its main characteristics and limits of application according to the type of mixture, assuming the following assumptions for its design.

- Round deposits, with side walls, anti-vortex and ratio height/diameter <1.5;
- Centered agitator and apeak to the liquid;
- Propeller located at 1/3 of wet volume;
- Viscosity and density close to water;
- Process of shaking type batch ;
- Agitation liquids compatible with the material of construction (stainless steel AISI 316L).

### Agitation types

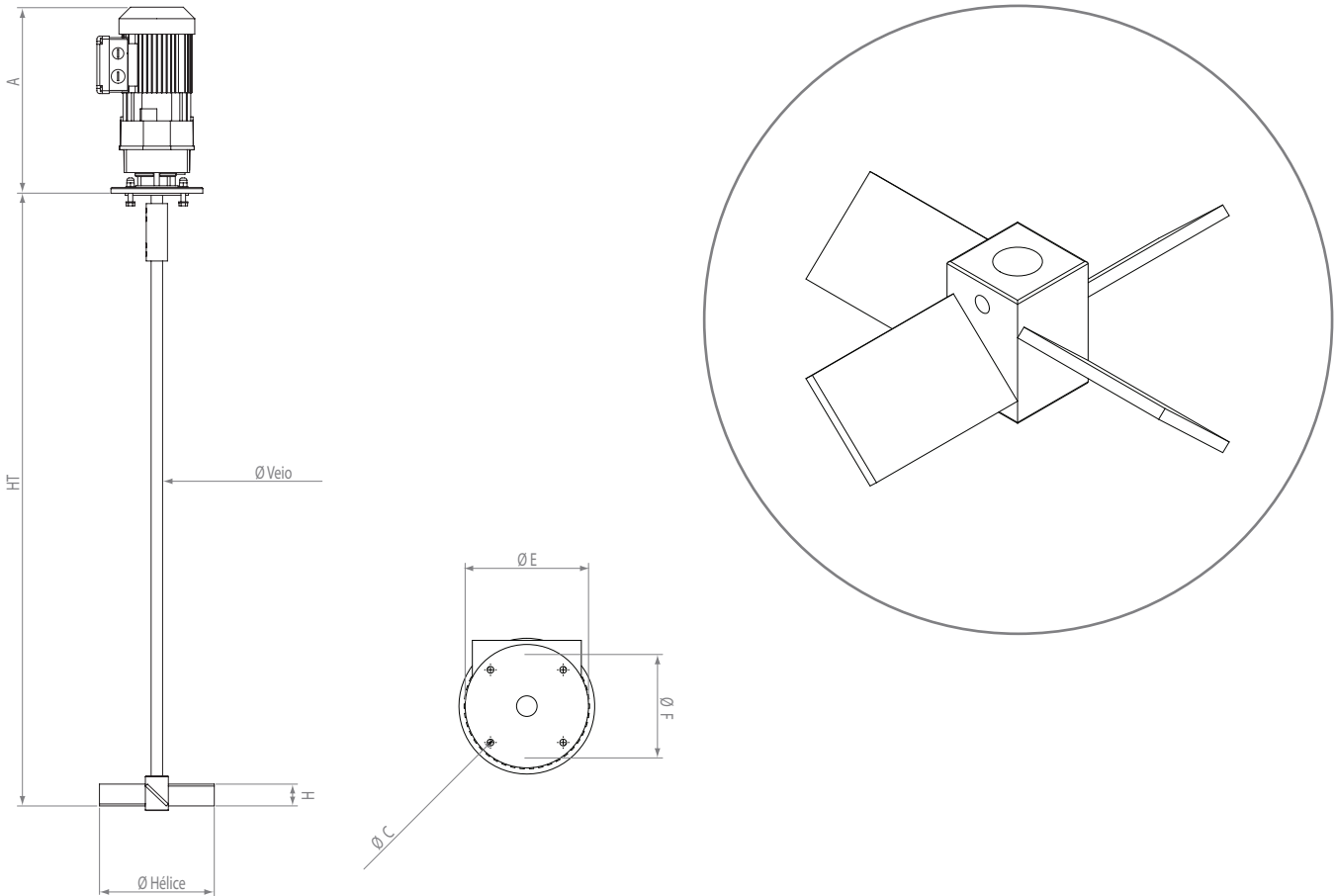
Although only rudimentarily, we could consider three types of Agitators when selecting the appropriate model.

**F** – Easy Agitation - Homogenisation of agents.

**N** – Normal Agitation - Solid suspension up to 50 g/l.

**D** – Difficult Agitation - Lime and polyelectrolyte preparation.

## Views / Dimensions



VLS Series	Model	Pow.	Rot.	A	Ø E	Ø F	Ø C	Ø Propeller	H	Ø shaft	Ht <sub>max</sub>	Max. Volume (L)		
		kW	rpm									F	N	D
	VLS 2520	0,25	106	362	160	130	9	200	50	20	1200	1	0,8	0,5
	VLS 3735	0,37	106	393	160	130	9	350	50	25	1400	3	2	1,5
	VLS 5550	0,55	106	419	200	165	11	500	50	25	1400	6	4	2
	VLS 11055	1,1	99	560	200	165	11	550	80	30	1700	12	9	6
	VLS 15070	1,5	97	560	250	180	13	700	80	40	1900	20	15	10

Dts VLS GbDC04062014